

FREEZER SUPER LED SATELLITE

DESIGNED FOR FREEZER, COOL ROOMS AND
APPLICATIONS REQUIRING REMOTE GEAR



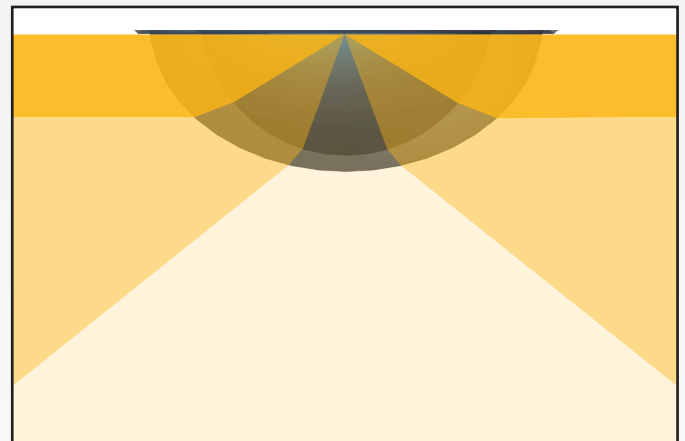
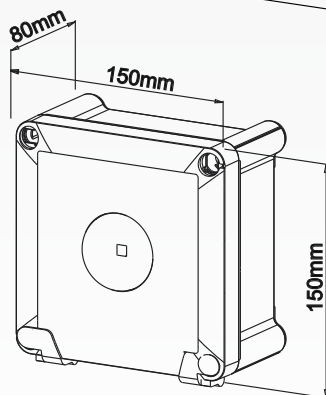
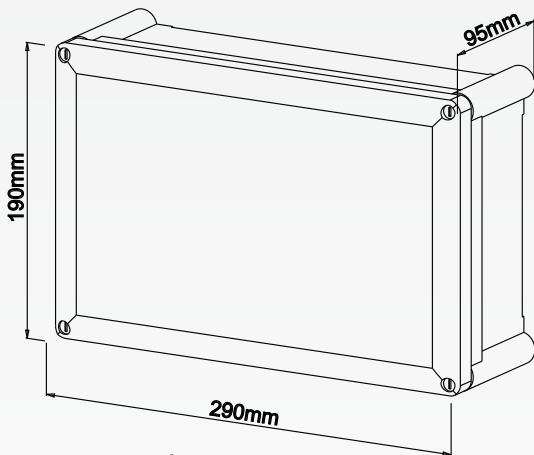
FREEZER SUPER LED SATELLITE

DESIGNED FOR FREEZER, COOL ROOMS AND APPLICATIONS REQUIRING REMOTE GEAR

- Suitable to small, large areas and high ceilings
- Cool and Freezer room applications
- -40°C to 40°C for LED head
- 10°C to 40°C for remote gear
- One high Brightness LED
- iSmart™ temperature sensing technology for LIION battery
- D100 emergency classification
- Standalone or Galaxy options
- 3m cable included between Remote Gear and Head
- Surface mounted with remote gear
- IP65 Weatherproof
- IK07 impact rating
- 5 year warranty
- Designed & manufactured in Australia

Cat No	Description
Standalone	
659517LI	Freezer Super LED Satellite LIION Grey Remote gear
Galaxy	
659087LI	Freezer Super LED Satellite LIION Grey Remote gear
Accessories	
659455	Freezer Super LED Satellite 10m extension cable

DIMENSIONS



Dual refractive lens designed to achieve D100 classification

Legrand Australia
1300 369 777
www.legrand.com.au

Legrand New Zealand
0800 476 009
www.legrand.co.nz

